



ASZH4

High-Efficiency
Split System Heat Pump
14.3 SEER2 and 7.5 HSPF2
1½ to 5 Tons

Nomenclature	2
Product Specifications	3
Expanded Cooling Data	4
Expanded Heating Data	18
Performance Data	20
Dimensions	21
Wiring Diagrams	22
Accessories	23

Standard Features

- High-Efficiency Copeland® scroll compressor
- Advanced Copeland® CoreSense technology
- Enhanced aluminum fin coil with 5mm diameter copper tubes in 1.5- to 3.5-ton
- SmartShift® technology to ensure quiet reliable defrost
- Single-speed PSC condenser fan motor
- Factory-installed bi-flow liquid-line filter drier
- Factory-installed suction-line accumulator
- Factory-installed compressor crankcase heater
- Factory-installed high-capacity muffler
- High and low-pressure switches
- Service valves with sweat connections and easy access to gauge ports
- AHRI Certified; ETL Listed

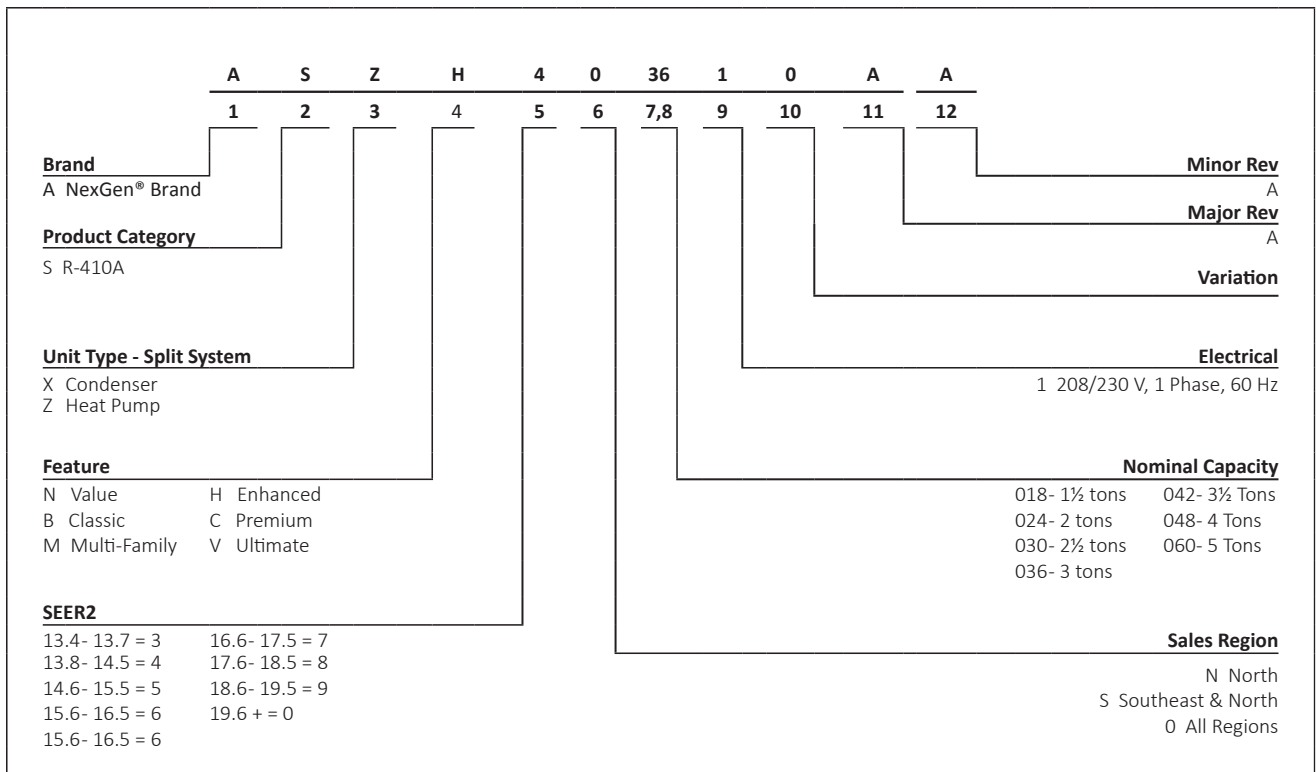
Cabinet Features

- Removable grille-style top design compliant with UL 60335-2-40
- Heavy-gauge galvanized-steel cabinet
- Baked-on powder-paint finish with 500-hour salt-spray approval
- Steel louver coil guard with rust-resistant screws
- Top and side maintenance access
- Single-panel access to controls with space provided for field-installed for field-installed accessories
- When properly anchored, it meets the 2020 Florida Building Code unit integrity requirements for hurricane-type winds (Anchor bracket kits available.)

X-PROTECT

* Complete warranty details available on www.nexgenairandheat.com. To receive the Lifetime Unit Replacement Warranty (good for as long as you own your home) and 10-Year Parts Lifetime Warranty, in order to qualify for lifetime replacement warranty you need to be part of the X Protection Family. Membership must be current and up-to-date.





	ASZH4 01810A*	ASZH4 02410A*	ASZH4 03010A*	ASZH4 03610A*	ASZH4 04210A*	ASZH4 04810A*	ASZH4 06010A*
NOMINAL CAPACITIES							
Cooling (BTU/h)	18,000	24,000	30,000	36,000	42,000	48,000	60,000
Heating (BTU/h)	18,000	24,000	30,000	36,000	42,000	48,000	60,000
Decibels	68	72	75	72	75	74	75
COMPRESSOR							
RLA	9.0	11.5	14.1	16.0	17.7	19.9	25.6
LRA	42.6	59.5	67.9	91.9	110.2	110.0	150.0
Stage	Single	Single	Single	Single	Single	Single	Single
Type	Scroll	Scroll	Scroll	Scroll	Scroll	Scroll	Scroll
CONDENSER FAN MOTOR							
Motor Type	PSC	PSC	PSC	PSC	PSC	PSC	PSC
Horsepower	1/6	1/6	1/6	1/6	1/4	1/4	1/4
FLA	0.95	0.95	0.95	0.97	1.3	1.3	1.3
REFRIGERATION SYSTEM							
Refrigerant Line Size ¹							
Liquid Line Size ("O.D.)	3/8"	3/8"	3/8"	3/8"	3/8"	3/8"	3/8"
Suction Line Size ("O.D.)	3/4"	3/4"	3/4"	7/8"	1 1/8"	1 1/8"	1 1/8"
Refrigerant Connection Size							
Liquid Valve Size ("O.D.)	3/8"	3/8"	3/8"	3/8"	3/8"	3/8"	3/8"
Suction Valve Size ("O.D.)	3/4"	3/4"	3/4"	7/8"	7/8"	7/8"	7/8"
Valve Connection Type	Sweat	Sweat	Sweat	Sweat	Sweat	Sweat	Sweat
Refrigerant Charge	94	86	94	114	167	222	269
ELECTRICAL DATA							
Voltage (60 Hz)	208/230	208/230	208/230	208/230	208/230	208/230	208/230
Minimum Circuit Ampacity ²	12.2	15.3	18.6	21	23.4	26.2	33.3
Max. Overcurrent Protection ³	20	25	30	35	40	45	50
Min / Max Volts	197/253	197/253	197/253	197/253	197/253	197/253	197/253
Electrical Conduit Size	1/2" or 3/4"	1/2" or 3/4"	1/2" or 3/4"	1/2" or 3/4"	1/2" or 3/4"	1/2" or 3/4"	1/2" or 3/4"
UNIT WEIGHTS							
Equipment Weight	164	164	175	214	264	272	305
Shipping Weight	179	179	190	234	284	292	325

¹ Tested and rated in accordance with AHRI Standard 210/240

² Wire size should be determined in accordance with National Electrical Codes; extensive wire runs will require larger wire sizes

³ Must use time-delay fuses or HACR-type circuit breakers of the same size as noted.

NOTES

- Always check the S&R plate for electrical data on the unit being installed.
- Installer will need to supply 3/8" to 1 1/8" adapters for suction line connections.
- Unit is charged with refrigerant for 15' of 3/8" liquid line. System charge must be adjusted per Installation Instructions Final Charge Procedure.
- Installation of these units requires the specified TXV Kit to be installed on the indoor coil.
THE SPECIFIED TXV IS DETERMINED BY THE OUTDOOR UNIT NOT THE INDOOR COIL.

COOLING DATA — ASZH401810A* + AMST24BU1400A*

IDB	AIRFLOW	OUTDOOR AMBIENT TEMPERATURE																							
		65°F				75°F				85°F				95°F				105°F				115°F			
		59	63	67	71	59	63	67	71	59	63	67	71	59	63	67	71	59	63	67	71	59	63	67	71
70	MBh	17.4	17.7	18.2	-	17.3	17.5	18.0	-	16.8	17.1	17.6	-	16.0	16.3	16.8	-	15.1	15.3	15.8	-	14.2	14.4	15.0	-
	S/T	0.58	0.50	0.37	-	0.59	0.51	0.37	-	0.61	0.53	0.40	-	1.00	0.55	0.42	-	1.00	0.58	0.44	-	1.00	0.63	0.49	-
	ΔT	18	17	14	-	18	17	14	-	19	17	14	-	18	17	14	-	18	17	13	-	19	18	14	-
	kW	1.04	1.04	1.04	-	1.16	1.16	1.16	-	1.30	1.29	1.29	-	1.44	1.44	1.44	-	1.60	1.60	1.60	-	1.79	1.79	1.78	-
	Amps	4.1	4.1	4.0	-	4.6	4.6	4.6	-	5.2	5.2	5.2	-	5.9	5.9	5.8	-	6.6	6.6	6.6	-	7.5	7.4	7.4	-
	Hi PR	230	231	233	-	267	268	269	-	305	306	307	-	346	347	349	-	390	391	393	-	438	439	440	-
	Lo PR	124	126	129	-	132	133	137	-	139	140	143	-	144	146	149	-	150	151	154	-	157	158	161	-
	MBh	17.7	18.0	18.5	-	17.6	17.8	18.3	-	17.1	17.4	17.9	-	16.3	16.6	17.1	-	15.4	15.6	16.1	-	14.5	14.7	15.3	-
	S/T	0.67	0.59	0.45	-	0.67	0.60	0.46	-	0.70	0.62	0.49	-	1.00	0.64	0.51	-	1.00	0.66	0.53	-	1.00	0.71	0.58	-
	ΔT	17	15	12	-	17	15	12	-	17	16	12	-	17	15	12	-	17	15	12	-	18	16	13	-
kW	1.05	1.05	1.05	-	1.17	1.17	1.17	-	1.30	1.30	1.30	-	1.45	1.45	1.44	-	1.61	1.61	1.60	-	1.80	1.79	1.79	-	
Amps	4.1	4.1	4.1	-	4.6	4.6	4.6	-	5.2	5.2	5.2	-	5.9	5.9	5.9	-	6.6	6.6	6.6	-	7.5	7.5	7.5	-	
Hi PR	233	234	236	-	269	270	272	-	308	309	310	-	349	350	351	-	393	394	396	-	440	441	443	-	
Lo PR	127	128	131	-	134	136	139	-	141	143	146	-	147	148	151	-	152	154	157	-	159	161	164	-	
MBh	17.9	18.1	18.7	-	17.7	18.0	18.5	-	17.3	17.5	18.0	-	16.5	16.7	17.3	-	15.5	15.8	16.3	-	14.6	14.9	15.4	-	
S/T	0.69	0.61	0.48	-	0.70	0.62	0.48	-	0.72	0.64	0.51	-	1.00	0.66	0.53	-	1.00	0.69	0.55	-	1.00	0.74	0.60	-	
ΔT	17	15	12	-	17	15	12	-	17	15	12	-	16	15	12	-	16	15	11	-	17	16	13	-	
kW	1.06	1.05	1.05	-	1.17	1.17	1.17	-	1.31	1.31	1.30	-	1.45	1.45	1.45	-	1.61	1.61	1.61	-	1.80	1.80	1.80	-	
Amps	4.1	4.1	4.1	-	4.7	4.6	4.6	-	5.3	5.3	5.2	-	5.9	5.9	5.9	-	6.6	6.6	6.6	-	7.5	7.5	7.5	-	
Hi PR	234	235	237	-	270	271	273	-	309	310	311	-	350	351	352	-	394	395	397	-	441	442	444	-	
Lo PR	128	129	133	-	135	137	140	-	142	144	147	-	148	149	153	-	153	155	158	-	160	162	165	-	

75	MBh	17.4	17.7	18.2	19.0	17.3	17.5	18.1	18.9	16.8	17.1	17.6	18.4	16.0	16.3	16.8	17.6	15.1	15.3	15.9	16.6	14.2	14.5	15.0	15.8
	S/T	0.71	0.63	0.50	0.35	0.72	0.64	0.50	0.36	1.00	0.66	0.53	0.39	1.00	0.68	0.55	0.40	1.00	0.71	0.57	0.43	1.00	1.00	0.62	0.48
	ΔT	22	20	17	14	22	20	17	14	22	21	18	14	22	20	17	14	22	20	17	14	23	21	18	15
	kW	1.04	1.04	1.04	1.05	1.16	1.16	1.16	1.17	1.29	1.29	1.29	1.30	1.44	1.44	1.43	1.44	1.60	1.60	1.60	1.60	1.79	1.78	1.78	1.79
	Amps	4.1	4.0	4.0	4.1	4.6	4.6	4.6	4.6	5.2	5.2	5.2	5.2	5.9	5.9	5.8	5.9	6.6	6.6	6.6	6.6	7.5	7.4	7.4	7.5
	Hi PR	230	231	233	237	267	268	270	274	305	306	308	312	346	347	349	353	390	391	393	397	438	439	440	444
	Lo PR	124	126	129	134	132	134	137	142	139	140	143	149	144	146	149	154	150	151	155	160	157	158	161	167
	MBh	17.7	18.0	18.5	19.3	17.6	17.8	18.4	19.2	17.1	17.4	17.9	18.7	16.3	16.6	17.1	17.9	15.4	15.6	16.1	16.9	14.5	14.7	15.3	16.1
	S/T	0.80	0.72	0.58	0.44	1.00	0.73	0.59	0.45	1.00	0.75	0.62	0.47	1.00	0.77	0.63	0.49	1.00	0.79	0.66	0.51	1.00	1.00	0.71	0.57
	ΔT	21	19	16	13	21	19	16	13	21	19	16	13	21	19	16	13	20	19	16	12	21	20	17	13
kW	1.05	1.05	1.05	1.06	1.17	1.17	1.17	1.18	1.30	1.30	1.30	1.31	1.45	1.45	1.44	1.45	1.61	1.61	1.61	1.61	1.79	1.79	1.79	1.80	
Amps	4.1	4.1	4.1	4.1	4.6	4.6	4.6	4.7	5.2	5.2	5.2	5.3	5.9	5.9	5.9	5.9	6.6	6.6	6.6	6.7	7.5	7.5	7.5	7.5	
Hi PR	233	234	236	240	270	271	272	276	308	309	310	314	349	350	351	355	393	394	396	400	440	441	443	447	
Lo PR	127	128	132	137	134	136	139	144	141	143	146	151	147	148	151	157	152	154	157	162	159	161	164	169	
MBh	17.9	18.1	18.7	19.5	17.7	18.0	18.5	19.3	17.3	17.5	18.0	18.8	16.5	16.7	17.3	18.1	15.5	15.8	16.3	17.1	14.7	14.9	15.4	16.2	
S/T	0.82	0.74	0.61	0.46	1.00	0.75	0.61	0.47	1.00	0.77	0.64	0.49	1.00	0.79	0.66	0.51	1.00	1.00	0.68	0.54	1.00	1.00	0.73	0.59	
ΔT	20	19	15	12	20	19	15	12	20	19	16	12	20	19	15	12	20	18	15	12	21	19	16	13	
kW	1.05	1.05	1.05	1.06	1.17	1.17	1.17	1.18	1.31	1.31	1.30	1.31	1.45	1.45	1.45	1.46	1.61	1.61	1.61	1.62	1.80	1.80	1.79	1.80	
Amps	4.1	4.1	4.1	4.1	4.6	4.6	4.6	4.7	5.3	5.3	5.2	5.3	5.9	5.9	5.9	5.9	6.6	6.6	6.6	6.7	7.5	7.5	7.5	7.5	
Hi PR	234	235	237	241	271	272	273	277	309	310	311	315	350	351	353	357	394	395	397	401	442	443	444	448	
Lo PR	128	129	133	138	136	137	140	146	142	144	147	152	148	149	153	158	153	155	158	163	160	162	165	170	

IDB: Entering Indoor Dry Bulb Temperature
 High and low pressures are measured at the liquid and suction service valves.
 Shaded area reflects ACCA (TVA) Rating Conditions.
 Amps = Outdoor unit amps (compressor + fan)
 kW = Total system power

COOLING DATA — ASZH401810A* + AMST24BU1400A* (CONT.)

IDB	AIRFLOW	OUTDOOR AMBIENT TEMPERATURE																							
		65°F				75°F				85°F				95°F				105°F				115°F			
		59	63	67	71	59	63	67	71	59	63	67	71	59	63	67	71	59	63	67	71	59	63	67	71
80	MBh	17.5	17.8	18.3	19.1	17.4	17.6	18.1	18.9	16.9	17.2	17.7	18.5	16.1	16.4	16.9	17.7	15.2	15.4	15.9	16.7	14.3	14.5	15.1	15.9
	S/T	1.00	0.76	0.62	0.48	1.00	0.76	0.63	0.49	1.00	0.79	0.65	0.51	1.00	1.00	0.67	0.53	1.00	1.00	0.70	0.55	1.00	1.00	0.75	0.60
	ΔT	26	24	21	18	26	24	21	18	26	24	21	18	26	24	21	18	26	24	21	18	27	25	22	19
	kW	1.04	1.04	1.04	1.05	1.16	1.16	1.16	1.17	1.30	1.29	1.29	1.30	1.44	1.44	1.44	1.44	1.60	1.60	1.60	1.60	1.79	1.79	1.78	1.79
	Amps	4.1	4.1	4.0	4.1	4.6	4.6	4.6	4.6	5.2	5.2	5.2	5.2	5.9	5.8	5.8	5.9	6.6	6.6	6.6	6.6	7.5	7.4	7.4	7.5
	Hi PR	231	232	233	238	267	268	270	274	305	306	308	312	347	348	349	353	391	392	394	398	438	439	441	445
	Lo PR	125	126	130	135	133	134	137	143	139	141	144	149	145	146	150	155	150	152	155	160	157	159	162	167
	MBh	17.8	18.1	18.6	19.4	17.7	17.9	18.4	19.2	17.2	17.5	18.0	18.8	16.4	16.7	17.2	18.0	15.5	15.7	16.2	17.0	14.6	14.8	15.4	16.2
	S/T	1.00	0.85	0.71	0.57	1.00	0.85	0.72	0.57	1.00	0.88	0.74	0.60	1.00	1.00	0.76	0.62	1.00	1.00	0.78	0.64	1.00	1.00	0.83	0.69
	ΔT	24	23	20	16	24	23	20	16	25	23	20	17	24	23	20	16	24	22	19	16	25	24	20	17
kW	1.05	1.05	1.05	1.06	1.17	1.17	1.17	1.18	1.30	1.30	1.30	1.31	1.45	1.45	1.45	1.45	1.61	1.61	1.61	1.61	1.80	1.79	1.79	1.80	
Amps	4.1	4.1	4.1	4.1	4.6	4.6	4.6	4.7	5.2	5.2	5.2	5.3	5.9	5.9	5.9	5.9	6.6	6.6	6.6	6.7	7.5	7.5	7.5	7.5	
Hi PR	234	235	236	240	270	271	273	277	308	309	311	315	349	350	352	356	394	395	396	400	441	442	444	448	
Lo PR	127	129	132	137	135	136	140	145	142	143	146	152	147	149	152	157	153	154	157	163	160	161	164	170	
MBh	18.0	18.2	18.8	19.5	17.8	18.1	18.6	19.4	17.4	17.6	18.1	18.9	16.6	16.8	17.4	18.1	15.6	15.9	16.4	17.2	14.7	15.0	15.5	16.3	
S/T	1.00	0.87	0.73	0.59	1.00	0.87	0.74	0.59	1.00	0.90	0.76	0.62	1.00	1.00	0.78	0.64	1.00	1.00	0.80	0.66	1.00	1.00	0.86	0.71	
ΔT	24	22	19	16	24	22	19	16	24	22	19	16	24	22	19	16	24	22	19	16	25	23	20	17	
kW	1.06	1.05	1.05	1.06	1.17	1.17	1.17	1.18	1.31	1.31	1.31	1.31	1.45	1.45	1.45	1.46	1.61	1.61	1.61	1.62	1.80	1.80	1.80	1.80	
Amps	4.1	4.1	4.1	4.1	4.7	4.6	4.6	4.6	5.3	5.3	5.2	5.3	5.9	5.9	5.9	5.9	6.6	6.6	6.6	6.7	7.5	7.5	7.5	7.5	
Hi PR	235	236	237	241	271	272	274	278	309	310	312	316	350	351	353	357	395	396	397	401	442	443	445	449	
Lo PR	128	130	133	139	136	138	141	146	143	144	147	153	148	150	153	158	154	155	159	164	161	162	166	171	

85	MBh	17.8	18.1	18.6	19.4	17.7	17.9	18.4	19.2	17.5	17.8	18.3	19.1	16.7	17.0	17.5	18.3	15.8	16.0	16.5	17.3	14.9	15.1	15.7	16.5
	S/T	1.00	0.86	0.72	0.6	1.00	1.00	0.73	0.6	1.00	1.00	0.76	0.6	1.00	1.00	0.77	0.6	1.00	1.00	0.80	0.7	1.00	1.00	1.00	0.8
	ΔT	29	27	24	21	29	27	24	21	29	28	25	21	29	27	24	21	29	27	24	21	30	28	25	22
	kW	1.05	1.05	1.04	1.1	1.16	1.16	1.16	1.2	1.30	1.30	1.29	1.3	1.44	1.44	1.44	1.4	1.60	1.60	1.60	1.6	1.79	1.79	1.79	1.8
	Amps	4.1	4.1	4.1	4.1	4.6	4.6	4.6	4.6	5.2	5.2	5.2	5.2	5.9	5.9	5.9	5.9	6.6	6.6	6.6	6.6	7.5	7.5	7.5	7.5
	Hi PR	232	233	235	239	268	269	271	275	307	308	309	313	348	349	350	354	392	393	395	399	439	440	442	446
	Lo PR	127	128	132	137	134	136	139	144	141	143	146	151	147	148	151	157	152	154	157	162	159	161	164	169
	MBh	18.1	18.4	18.9	19.7	18.0	18.2	18.7	19.5	17.5	17.8	18.3	19.1	16.7	17.0	17.5	18.3	15.8	16.0	16.5	17.3	14.9	15.1	15.7	16.5
	S/T	1.00	0.95	0.81	0.7	1.00	1.00	0.82	0.7	1.00	1.00	0.84	0.7	1.00	1.00	0.86	0.7	1.00	1.00	1.00	0.7	1.00	1.00	1.00	0.8
	ΔT	28	26	23	20	28	26	23	20	28	26	23	20	28	26	23	20	27	26	23	19	28	27	24	20
kW	1.05	1.05	1.05	1.1	1.17	1.17	1.17	1.2	1.31	1.30	1.30	1.3	1.45	1.45	1.45	1.5	1.61	1.61	1.61	1.6	1.80	1.80	1.79	1.8	
Amps	4.1	4.1	4.1	4.1	4.6	4.6	4.6	4.7	5.3	5.2	5.2	5.3	5.9	5.9	5.9	5.9	6.6	6.6	6.6	6.7	7.5	7.5	7.5	7.5	
Hi PR	235	236	237	241	271	272	274	278	309	310	312	316	350	351	353	357	395	396	397	401	442	443	445	449	
Lo PR	129	131	134	139	137	138	142	147	143	145	148	154	149	151	154	159	155	156	159	165	162	163	166	172	
MBh	18.3	18.5	19.0	19.8	18.1	18.4	18.9	19.7	17.7	17.9	18.4	19.2	16.9	17.1	17.6	18.4	15.9	16.2	16.7	17.5	15.0	15.3	15.8	16.6	
S/T	1.00	0.97	0.83	0.7	1.00	1.00	0.84	0.7	1.00	1.00	0.86	0.7	1.00	1.00	0.88	0.7	1.00	1.00	1.00	0.8	1.00	1.00	1.00	0.8	
ΔT	27	26	22	19	27	26	23	19	27	26	23	19	27	25	22	19	27	25	22	19	28	26	23	20	
kW	1.06	1.06	1.05	1.1	1.18	1.18	1.17	1.2	1.31	1.31	1.31	1.3	1.45	1.45	1.45	1.5	1.61	1.61	1.61	1.6	1.80	1.80	1.80	1.8	
Amps	4.1	4.1	4.1	4.1	4.7	4.7	4.6	4.7	5.3	5.3	5.3	5.3	5.9	5.9	5.9	6.0	6.7	6.7	6.6	6.7	7.5	7.5	7.5	7.5	
Hi PR	236	237	238	242	272	273	275	279	310	311	313	317	351	352	354	358	396	397	398	402	443	444	446	450	
Lo PR	130	132	135	140	138	139	143	148	145	146	149	155	150	152	155	160	156	157	160	166	163	164	167	173	

IDB: Entering Indoor Dry Bulb Temperature
 High and low pressures are measured at the liquid and suction service valves.
 Shaded area reflects AHRI Rating Conditions.
 kW = Total system power
 Amps = Outdoor unit amps (compressor + fan)

COOLING DATA — ASZH402410A* + AMST24BU1400A*

IDB	AIRFLOW	OUTDOOR AMBIENT TEMPERATURE																							
		65°F				75°F				85°F				95°F				105°F				115°F			
		59	63	67	71	59	63	67	71	59	63	67	71	59	63	67	71	59	63	67	71	59	63	67	71
70	MBh	23.1	23.5	24.1	-	22.9	23.2	23.9	-	22.3	22.6	23.3	-	21.3	21.6	22.3	-	20.0	20.4	21.0	-	18.9	19.2	19.9	-
	S/T	0.61	0.54	0.41	-	0.62	0.55	0.42	-	0.64	0.57	0.44	-	0.66	0.59	0.46	-	1.00	0.61	0.48	-	1.00	0.66	0.53	-
	ΔT	18	16	13	-	18	16	13	-	18	16	13	-	18	16	13	-	17	16	13	-	18	17	14	-
	kW	1.36	1.36	1.35	-	1.52	1.52	1.52	-	1.70	1.70	1.70	-	1.90	1.90	1.89	-	2.12	2.12	2.11	-	2.37	2.37	2.37	-
	Amps	5.3	5.3	5.3	-	6.0	6.0	6.0	-	6.9	6.9	6.9	-	7.8	7.8	7.8	-	8.8	8.8	8.8	-	10.0	9.9	9.9	-
	Hi/PR	239	240	242	-	276	277	279	-	316	317	318	-	358	359	361	-	404	405	407	-	453	454	455	-
Lo/PR	120	122	125	-	127	129	132	-	134	135	138	-	139	141	144	-	144	146	149	-	151	152	155	-	
70	MBh	23.3	23.6	24.3	-	23.1	23.4	24.1	-	22.5	22.8	23.5	-	21.5	21.8	22.5	-	20.2	20.5	21.2	-	19.0	19.4	20.1	-
	S/T	0.64	0.57	0.44	-	0.65	0.57	0.44	-	0.67	0.60	0.47	-	0.69	0.62	0.49	-	1.00	0.64	0.51	-	1.00	0.69	0.56	-
	ΔT	17	16	12	-	17	15	12	-	17	16	13	-	17	15	12	-	17	15	12	-	18	16	13	-
	kW	1.36	1.36	1.36	-	1.53	1.52	1.52	-	1.71	1.70	1.70	-	1.90	1.90	1.90	-	2.12	2.12	2.12	-	2.38	2.38	2.37	-
	Amps	5.3	5.3	5.3	-	6.1	6.1	6.1	-	6.9	6.9	6.9	-	7.8	7.8	7.8	-	8.8	8.8	8.8	-	10.0	10.0	10.0	-
	Hi/PR	240	241	243	-	278	279	280	-	317	318	320	-	359	360	362	-	405	406	408	-	454	455	456	-
Lo/PR	121	122	126	-	128	130	133	-	135	136	139	-	140	141	144	-	145	147	150	-	152	153	156	-	
900	MBh	23.9	24.2	24.9	-	23.7	24.0	24.7	-	23.1	23.4	24.1	-	22.1	22.4	23.1	-	20.8	21.1	21.8	-	19.7	20.0	20.7	-
	S/T	0.68	0.61	0.48	-	0.69	0.61	0.48	-	0.71	0.64	0.51	-	1.00	0.66	0.53	-	1.00	0.68	0.55	-	1.00	0.73	0.60	-
	ΔT	16	14	11	-	16	14	11	-	16	14	11	-	16	14	11	-	16	14	11	-	17	15	12	-
	kW	1.37	1.37	1.37	-	1.54	1.53	1.53	-	1.72	1.72	1.71	-	1.91	1.91	1.91	-	2.13	2.13	2.13	-	2.39	2.39	2.39	-
	Amps	5.4	5.4	5.4	-	6.1	6.1	6.1	-	6.9	6.9	6.9	-	7.8	7.8	7.8	-	8.8	8.8	8.8	-	10.0	10.0	10.0	-
	Hi/PR	243	244	246	-	281	282	283	-	320	321	323	-	362	363	365	-	408	409	411	-	457	458	459	-
Lo/PR	124	126	129	-	131	133	136	-	138	139	142	-	143	145	148	-	148	150	153	-	155	157	160	-	

IDB	AIRFLOW	OUTDOOR AMBIENT TEMPERATURE																							
		65°F				75°F				85°F				95°F				105°F				115°F			
		59	63	67	71	59	63	67	71	59	63	67	71	59	63	67	71	59	63	67	71	59	63	67	71
700	MBh	23.1	23.5	24.2	25.2	22.9	23.3	23.9	25.0	22.3	22.7	23.3	24.4	21.3	21.6	22.3	23.4	20.0	20.4	21.1	22.1	18.9	19.2	19.9	20.9
	S/T	0.74	0.66	0.53	0.40	0.74	0.67	0.54	0.40	1.00	0.69	0.56	0.43	1.00	0.71	0.58	0.44	1.00	0.73	0.60	0.47	1.00	0.78	0.65	0.52
	ΔT	21	20	17	13	21	20	17	13	22	20	17	14	21	20	17	13	21	19	16	13	22	20	17	14
	kW	1.36	1.36	1.35	1.37	1.52	1.52	1.52	1.53	1.70	1.70	1.70	1.71	1.90	1.90	1.89	1.91	2.12	2.11	2.11	2.12	2.37	2.37	2.37	2.38
	Amps	5.3	5.3	5.3	5.3	6.0	6.0	6.0	6.1	6.9	6.9	6.9	6.9	7.8	7.8	7.8	7.8	8.8	8.8	8.8	8.8	9.9	9.9	9.9	10.0
	Hi/PR	239	240	242	246	277	278	279	284	316	317	319	323	358	359	361	365	404	405	407	411	453	454	455	460
Lo/PR	120	122	125	130	127	129	132	137	134	135	138	143	139	141	144	149	144	146	149	154	151	152	155	161	
750	MBh	23.3	23.6	24.3	25.4	23.1	23.4	24.1	25.2	22.5	22.8	23.5	24.6	21.5	21.8	22.5	23.5	20.2	20.5	21.2	22.3	19.1	19.4	20.1	21.1
	S/T	0.76	0.69	0.56	0.42	0.77	0.70	0.57	0.43	1.00	0.72	0.59	0.45	1.00	0.74	0.61	0.47	1.00	0.76	0.63	0.49	1.00	0.81	0.68	0.54
	ΔT	21	19	16	13	21	19	16	13	21	19	16	13	21	19	16	13	21	19	16	13	22	20	17	14
	kW	1.36	1.36	1.36	1.37	1.52	1.52	1.52	1.53	1.71	1.70	1.70	1.71	1.90	1.90	1.90	1.91	2.12	2.12	2.12	2.13	2.38	2.38	2.37	2.39
	Amps	5.3	5.3	5.3	5.4	6.1	6.1	6.0	6.1	6.9	6.9	6.9	6.9	7.8	7.8	7.8	7.8	8.8	8.8	8.8	8.8	10.0	10.0	10.0	10.0
	Hi/PR	240	241	243	247	278	279	280	285	317	318	320	324	359	360	362	366	405	406	408	412	454	455	457	461
Lo/PR	121	123	126	131	128	130	133	138	135	136	139	144	140	141	145	150	145	147	150	155	152	153	156	161	
900	MBh	23.9	24.2	24.9	26.0	23.7	24.0	24.7	25.8	23.1	23.4	24.1	25.2	22.1	22.4	23.1	24.1	20.8	21.1	21.8	22.9	19.7	20.0	20.7	21.7
	S/T	0.81	0.73	0.60	0.47	0.81	0.74	0.61	0.47	1.00	0.76	0.63	0.50	1.00	0.78	0.65	0.51	1.00	0.80	0.67	0.54	1.00	1.00	0.72	0.58
	ΔT	20	18	15	11	20	18	15	11	20	18	15	12	20	18	15	11	19	18	14	11	20	19	16	12
	kW	1.37	1.37	1.37	1.38	1.53	1.53	1.53	1.54	1.72	1.71	1.71	1.72	1.91	1.91	1.91	1.92	2.13	2.13	2.13	2.14	2.39	2.39	2.38	2.40
	Amps	5.4	5.4	5.4	5.4	6.1	6.1	6.1	6.2	6.9	6.9	6.9	7.0	7.8	7.8	7.8	7.9	8.8	8.8	8.8	8.9	10.0	10.0	10.0	10.1
	Hi/PR	243	244	246	250	281	282	284	288	320	321	323	327	363	364	365	369	408	409	411	415	457	458	460	464
Lo/PR	124	126	129	134	132	133	136	141	138	139	142	147	143	145	148	153	149	150	153	158	155	157	160	165	

IDB: Entering Indoor Dry Bulb Temperature
 High and low pressures are measured at the liquid and suction service valves.
 Shaded area reflects ACCA (TVA) Rating Conditions.
 kW = Total system power
 Amps = Outdoor unit amps (compressor + fan)

COOLING DATA — ASZH402410A* + AMST24BU1400A* (CONT.)

IDB	AIRFLOW	OUTDOOR AMBIENT TEMPERATURE												ENTERING INDOOR WET BULB TEMPERATURE											
		65°F				75°F				85°F				95°F				105°F				115°F			
		59	63	67	71	59	63	67	71	59	63	67	71	59	63	67	71	59	63	67	71	59	63	67	71
80	MBh	23.3	23.6	24.3	25.3	23.1	23.4	24.1	25.1	22.5	22.8	23.5	24.5	21.4	21.7	22.4	23.5	20.2	20.5	21.2	22.2	19.0	19.3	20.0	21.1
	S/T	0.86	0.78	0.65	0.52	1.00	0.79	0.66	0.52	1.00	0.81	0.68	0.55	1.00	0.83	0.70	0.57	1.00	1.00	0.72	0.59	1.00	1.00	0.77	0.64
	ΔT	25	23	20	17	25	23	20	17	25	24	21	17	25	23	20	17	25	23	20	17	26	24	21	18
	kW	1.36	1.36	1.35	1.37	1.52	1.52	1.52	1.53	1.70	1.70	1.70	1.71	1.90	1.90	1.89	1.91	2.12	2.12	2.11	2.13	2.37	2.37	2.37	2.38
	Amps	5.3	5.3	5.3	5.3	6.0	6.0	6.0	6.1	6.9	6.9	6.9	6.9	7.8	7.8	7.8	7.8	8.8	8.8	8.8	8.8	10.0	10.0	9.9	10.0
	Hi/PR	240	241	242	246	277	278	280	284	316	317	319	323	359	360	361	366	404	405	407	411	453	454	456	460
Lo/PR	121	122	125	130	128	129	132	137	134	136	139	144	140	141	144	149	145	146	149	154	151	153	156	161	
80	MBh	23.4	23.8	24.4	25.5	23.2	23.5	24.2	25.3	22.6	22.9	23.6	24.7	21.6	21.9	22.6	23.6	20.3	20.7	21.3	22.4	19.2	19.5	20.2	21.2
	S/T	0.89	0.81	0.68	0.54	1.00	0.82	0.69	0.55	1.00	0.84	0.71	0.57	1.00	0.86	0.73	0.59	1.00	1.00	0.75	0.61	1.00	1.00	0.80	0.66
	ΔT	25	23	20	17	25	23	20	16	25	23	20	17	25	23	20	16	24	23	20	16	25	24	21	17
	kW	1.36	1.36	1.36	1.37	1.52	1.52	1.52	1.53	1.71	1.70	1.70	1.71	1.90	1.90	1.90	1.91	2.12	2.12	2.12	2.13	2.38	2.38	2.37	2.39
	Amps	5.3	5.3	5.3	5.4	6.1	6.1	6.0	6.1	6.9	6.9	6.9	6.9	7.8	7.8	7.8	7.8	8.8	8.8	8.8	8.8	10.0	10.0	10.0	10.0
	Hi/PR	241	242	243	247	278	279	281	285	317	319	320	324	360	361	363	367	406	407	408	412	454	455	457	461
Lo/PR	122	123	126	131	129	130	133	138	135	137	140	145	141	142	145	150	146	147	150	155	152	154	157	162	
900	MBh	24.0	24.4	25.1	26.1	23.8	24.2	24.8	25.9	23.2	23.6	24.2	25.3	22.2	22.5	23.2	24.3	20.9	21.3	22.0	23.0	19.8	20.1	20.8	21.8
	S/T	1.00	0.85	0.72	0.59	1.00	0.86	0.73	0.59	1.00	0.88	0.75	0.62	1.00	0.90	0.77	0.63	1.00	1.00	0.79	0.66	1.00	1.00	0.84	0.71
	ΔT	23	22	18	15	23	22	18	15	23	22	19	15	23	22	18	15	23	21	18	15	24	22	19	16
	kW	1.37	1.37	1.37	1.38	1.54	1.53	1.53	1.54	1.72	1.72	1.71	1.73	1.91	1.91	1.91	1.92	2.13	2.13	2.13	2.14	2.39	2.39	2.38	2.40
	Amps	5.4	5.4	5.4	5.4	6.1	6.1	6.1	6.2	6.9	6.9	6.9	7.0	7.8	7.8	7.8	7.9	8.8	8.8	8.8	8.9	10.0	10.0	10.0	10.1
	Hi/PR	244	245	246	251	281	282	284	288	321	322	323	328	363	364	366	370	409	410	411	416	457	458	460	464
Lo/PR	125	126	129	134	132	134	137	142	138	140	143	148	144	145	148	153	149	151	154	159	156	157	160	165	

700	MBh	23.6	24.0	24.7	25.7	23.4	23.8	24.5	25.5	22.8	23.2	23.9	24.9	21.8	22.1	22.8	23.9	20.5	20.9	21.6	22.6	19.4	19.7	20.4	21.5
	S/T	1.00	0.88	0.75	0.6	1.00	0.89	0.76	0.6	1.00	1.00	0.78	0.6	1.00	1.00	0.80	0.7	1.00	1.00	0.82	0.7	1.00	1.00	0.87	0.7
	ΔT	28	27	24	20	28	27	24	20	29	27	24	21	28	27	24	20	28	26	23	20	29	28	24	21
	kW	1.36	1.36	1.36	1.4	1.52	1.52	1.52	1.5	1.70	1.70	1.70	1.7	1.90	1.90	1.90	1.9	2.12	2.12	2.12	2.1	2.38	2.38	2.37	2.4
	Amps	5.3	5.3	5.3	5.4	6.1	6.1	6.0	6.1	6.9	6.9	6.9	6.9	7.8	7.8	7.8	7.8	8.8	8.8	8.8	8.8	10.0	10.0	9.9	10.0
	Hi/PR	241	242	243	248	278	279	281	285	318	319	320	324	360	361	363	367	406	407	408	412	454	455	457	461
Lo/PR	122	124	127	132	130	131	134	139	136	137	141	146	141	143	146	151	147	148	151	156	153	155	158	163	
750	MBh	23.8	24.1	24.8	25.9	23.6	23.9	24.6	25.7	23.0	23.3	24.0	25.1	22.0	22.3	23.0	24.0	20.7	21.0	21.7	22.8	19.6	19.9	20.6	21.6
	S/T	1.00	0.91	0.78	0.6	1.00	0.92	0.78	0.6	1.00	1.00	0.81	0.7	1.00	1.00	0.83	0.7	1.00	1.00	0.85	0.7	1.00	1.00	1.00	0.8
	ΔT	28	26	23	20	28	26	23	20	28	26	23	20	28	26	23	20	28	26	23	20	29	27	24	21
	kW	1.37	1.36	1.36	1.4	1.53	1.53	1.52	1.5	1.71	1.71	1.71	1.7	1.91	1.90	1.90	1.9	2.12	2.12	2.12	2.1	2.38	2.38	2.38	2.4
	Amps	5.3	5.3	5.3	5.4	6.1	6.1	6.1	6.1	6.9	6.9	6.9	6.9	7.8	7.8	7.8	7.8	8.8	8.8	8.8	8.8	10.0	10.0	10.0	10.0
	Hi/PR	242	243	244	249	279	280	282	286	319	320	321	325	361	362	364	368	407	408	409	413	455	456	458	462
Lo/PR	123	125	128	133	131	132	135	140	137	138	141	147	142	144	147	152	148	149	152	157	154	156	159	164	
900	MBh	24.4	24.8	25.4	26.5	24.2	24.5	25.2	26.3	23.6	23.9	24.6	25.7	22.6	22.9	23.6	24.7	21.3	21.7	22.3	23.4	20.2	20.5	21.2	22.2
	S/T	1.00	0.95	0.82	0.7	1.00	0.96	0.83	0.7	1.00	1.00	0.85	0.7	1.00	1.00	0.87	0.7	1.00	1.00	0.89	0.8	1.00	1.00	1.00	0.8
	ΔT	27	25	22	19	27	25	22	18	27	25	22	19	27	25	22	18	26	25	21	18	27	26	23	19
	kW	1.38	1.38	1.37	1.4	1.54	1.54	1.53	1.5	1.72	1.72	1.72	1.7	1.92	1.91	1.91	1.9	2.14	2.13	2.13	2.1	2.39	2.39	2.39	2.4
	Amps	5.4	5.4	5.4	5.4	6.1	6.1	6.1	6.2	7.0	7.0	6.9	7.0	7.9	7.9	7.8	7.9	8.9	8.9	8.8	8.9	10.0	10.0	10.0	10.1
	Hi/PR	245	246	248	252	282	283	285	289	322	323	324	329	364	365	367	371	410	411	412	417	459	460	461	465
Lo/PR	127	128	131	136	134	135	138	143	140	142	145	150	146	147	150	155	151	152	155	160	157	159	162	167	

IDB: Entering Indoor Dry Bulb Temperature
 High and low pressures are measured at the liquid and suction service valves.
 Shaded area reflects AHRI Rating Conditions.
 kW = Total system power
 Amps = Outdoor unit amps (compressor + fan)

COOLING DATA — ASZH403010A* + AMST30BU1400A*

IDB	AIRFLOW	OUTDOOR AMBIENT TEMPERATURE																							
		65°F				75°F				85°F				95°F				105°F				115°F			
		59	63	67	71	59	63	67	71	59	63	67	71	59	63	67	71	59	63	67	71	59	63	67	71
70	MBh	28.5	28.9	29.8	-	28.3	28.7	29.5	-	27.5	27.9	28.8	-	26.2	26.6	27.5	-	24.7	25.1	25.9	-	23.2	23.6	24.5	-
	S/T	0.60	0.52	0.38	-	0.61	0.52	0.38	-	0.63	0.55	0.41	-	0.65	0.57	0.43	-	1.00	0.60	0.45	-	1.00	0.65	0.51	-
	ΔT	18	17	14	-	18	17	13	-	18	17	14	-	18	17	13	-	18	16	13	-	19	17	14	-
	kW	1.70	1.70	1.69	-	1.90	1.89	1.89	-	2.12	2.12	2.11	-	2.36	2.36	2.35	-	2.63	2.62	2.62	-	2.94	2.94	2.93	-
	Amps	6.3	6.3	6.3	-	7.2	7.2	7.2	-	8.2	8.2	8.2	-	9.3	9.3	9.3	-	10.5	10.5	10.5	-	12.0	12.0	11.9	-
	Hi PR	247	248	250	-	286	287	289	-	327	328	330	-	371	372	374	-	418	419	421	-	469	470	472	-
	Lo PR	119	121	124	-	127	128	131	-	133	135	138	-	139	140	143	-	144	145	148	-	151	152	155	-
	MBh	28.9	29.3	30.1	-	28.6	29.0	29.9	-	27.9	28.3	29.1	-	26.6	27.0	27.8	-	25.0	25.4	26.3	-	23.6	24.0	24.8	-
	S/T	0.67	0.59	0.45	-	0.68	0.60	0.46	-	0.71	0.63	0.48	-	0.73	0.65	0.50	-	1.00	0.67	0.53	-	1.00	0.72	0.58	-
	ΔT	17	16	12	-	17	16	12	-	17	16	13	-	17	15	12	-	17	15	12	-	18	16	13	-
kW	1.71	1.71	1.70	-	1.91	1.90	1.90	-	2.13	2.13	2.12	-	2.37	2.37	2.36	-	2.64	2.63	2.63	-	2.95	2.95	2.95	-	
Amps	6.3	6.3	6.3	-	7.2	7.2	7.2	-	8.3	8.2	8.2	-	9.4	9.3	9.3	-	10.6	10.6	10.6	-	12.0	12.0	12.0	-	
Hi PR	249	250	252	-	288	289	291	-	329	330	332	-	373	374	376	-	420	421	423	-	471	472	474	-	
Lo PR	121	123	126	-	128	130	133	-	135	136	139	-	140	142	145	-	146	147	150	-	152	154	157	-	
MBh	29.1	29.5	30.3	-	28.8	29.2	30.1	-	28.1	28.5	29.3	-	26.8	27.2	28.0	-	25.2	25.6	26.5	-	23.8	24.2	25.0	-	
S/T	0.70	0.62	0.48	-	0.71	0.63	0.49	-	0.73	0.65	0.51	-	0.76	0.67	0.53	-	1.00	0.70	0.56	-	1.00	0.75	0.61	-	
ΔT	17	15	12	-	17	15	12	-	17	15	12	-	17	15	12	-	16	15	12	-	17	16	13	-	
kW	1.71	1.71	1.71	-	1.91	1.91	1.91	-	2.13	2.13	2.13	-	2.37	2.37	2.37	-	2.64	2.64	2.64	-	2.96	2.95	2.95	-	
Amps	6.4	6.3	6.3	-	7.3	7.3	7.2	-	8.3	8.3	8.3	-	9.4	9.4	9.4	-	10.6	10.6	10.6	-	12.0	12.0	12.0	-	
Hi PR	250	251	253	-	289	290	292	-	330	331	333	-	374	375	377	-	422	423	424	-	472	473	475	-	
Lo PR	122	124	127	-	129	131	134	-	136	137	140	-	141	143	146	-	146	148	151	-	153	155	158	-	

75	MBh	28.6	29.0	29.8	31.1	28.3	28.7	29.6	30.9	27.5	28.0	28.8	30.1	26.3	26.7	27.5	28.8	24.7	25.1	25.9	27.3	23.2	23.7	24.5	25.8
	S/T	0.73	0.65	0.51	0.36	0.74	0.66	0.52	0.37	1.00	0.69	0.54	0.39	1.00	0.71	0.57	0.41	1.00	0.73	0.59	0.44	1.00	0.79	0.64	0.49
	ΔT	22	20	17	14	22	20	17	14	22	20	17	14	22	20	17	14	22	20	17	14	23	21	18	15
	kW	1.70	1.69	1.69	1.71	1.89	1.89	1.89	1.90	2.12	2.11	2.11	2.13	2.36	2.35	2.35	2.37	2.62	2.62	2.62	2.63	2.94	2.94	2.93	2.95
	Amps	6.3	6.3	6.3	6.3	7.2	7.2	7.2	7.2	8.2	8.2	8.2	8.2	9.3	9.3	9.3	9.3	10.5	10.5	10.5	10.6	12.0	12.0	11.9	12.0
	Hi PR	247	248	250	254	286	287	289	293	327	328	330	334	371	372	374	378	419	420	421	426	469	470	472	476
	Lo PR	120	121	124	129	127	128	131	136	133	135	138	143	139	140	143	148	144	145	149	154	151	152	155	160
	MBh	28.9	29.3	30.1	31.4	28.6	29.0	29.9	31.2	27.9	28.3	29.1	30.4	26.6	27.0	27.8	29.2	25.0	25.4	26.3	27.6	23.6	24.0	24.8	26.1
	S/T	0.81	0.73	0.59	0.43	0.81	0.73	0.59	0.44	1.00	0.76	0.62	0.47	1.00	0.78	0.64	0.49	1.00	0.80	0.66	0.51	1.00	0.86	0.72	0.57
	ΔT	21	19	16	13	21	19	16	13	21	19	16	13	21	19	16	13	21	19	16	13	22	20	17	14
kW	1.71	1.71	1.70	1.72	1.91	1.90	1.90	1.92	2.13	2.13	2.12	2.14	2.37	2.37	2.36	2.38	2.63	2.63	2.63	2.64	2.95	2.95	2.94	2.96	
Amps	6.3	6.3	6.3	6.4	7.2	7.2	7.2	7.3	8.3	8.2	8.2	8.3	9.3	9.3	9.3	9.4	10.6	10.6	10.6	10.6	12.0	12.0	12.0	12.1	
Hi PR	249	250	252	256	288	289	291	295	329	330	332	336	373	374	376	380	421	422	423	428	471	472	474	479	
Lo PR	121	123	126	131	128	130	133	138	135	136	139	145	140	142	145	150	146	147	150	155	152	154	157	162	
MBh	29.1	29.5	30.3	31.7	28.8	29.2	30.1	31.4	28.1	28.5	29.3	30.6	26.8	27.2	28.1	29.4	25.2	25.6	26.5	27.8	23.8	24.2	25.0	26.3	
S/T	0.84	0.76	0.61	0.46	0.84	0.76	0.62	0.47	1.00	0.79	0.65	0.50	1.00	0.81	0.67	0.52	1.00	0.83	0.69	0.54	1.00	1.00	0.75	0.60	
ΔT	20	19	16	12	20	19	16	12	20	19	16	13	20	19	16	12	20	18	15	12	21	19	16	13	
kW	1.71	1.71	1.71	1.72	1.91	1.91	1.91	1.92	2.13	2.13	2.13	2.14	2.37	2.37	2.37	2.38	2.64	2.64	2.63	2.65	2.95	2.95	2.95	2.96	
Amps	6.4	6.3	6.3	6.4	7.3	7.3	7.2	7.3	8.3	8.3	8.3	8.3	9.4	9.4	9.3	9.4	10.6	10.6	10.6	10.6	12.0	12.0	12.0	12.1	
Hi PR	250	251	253	257	289	290	292	296	330	331	333	337	374	375	377	381	422	423	425	429	472	474	475	480	
Lo PR	122	124	127	132	129	131	134	139	136	137	140	145	141	143	146	151	147	148	151	156	153	155	158	163	

IDB: Entering Indoor Dry Bulb Temperature
 High and low pressures are measured at the liquid and suction service valves.
 Shaded area reflects ACCA (TVA) Rating Conditions.
 Amps = Outdoor unit amps (compressor + fan)
 kW = Total system power

COOLING DATA — ASZH403010A* + AMST30BU1400A* (CONT.)

IDB	AIRFLOW	OUTDOOR AMBIENT TEMPERATURE												ENTERING INDOOR WET BULB TEMPERATURE											
		65°F				75°F				85°F				95°F				105°F				115°F			
		59	63	67	71	59	63	67	71	59	63	67	71	59	63	67	71	59	63	67	71	59	63	67	71
80	MBh	28.7	29.1	30.0	31.3	28.4	28.9	29.7	31.0	27.7	28.1	29.0	30.3	26.4	26.8	27.7	29.0	24.8	25.2	26.1	27.4	23.4	23.8	24.7	26.0
	S/T	0.87	0.79	0.64	0.49	1.00	0.79	0.65	0.50	1.00	0.82	0.68	0.53	1.00	0.84	0.70	0.55	1.00	1.00	0.72	0.57	1.00	1.00	0.77	0.62
	ΔT	25	24	21	18	25	24	21	18	26	24	21	18	25	24	21	18	25	24	20	17	26	25	21	18
	kW	1.70	1.70	1.69	1.71	1.90	1.89	1.89	1.91	2.12	2.12	2.11	2.13	2.36	2.36	2.35	2.37	2.63	2.62	2.62	2.64	2.94	2.94	2.93	2.95
	Amps	6.3	6.3	6.3	6.3	7.2	7.2	7.2	7.2	8.2	8.2	8.2	8.3	9.3	9.3	9.3	9.4	10.5	10.5	10.5	10.6	12.0	12.0	11.9	12.0
1000	Hi PR	247	248	250	254	286	288	289	294	327	328	330	335	372	373	374	379	419	420	422	426	470	471	473	477
	Lo PR	120	122	125	130	127	129	132	137	134	135	138	143	139	141	144	149	144	146	149	154	151	153	156	161
	MBh	29.0	29.4	30.3	31.6	28.8	29.2	30.0	31.3	28.0	28.4	29.3	30.6	26.7	27.1	28.0	29.3	25.2	25.6	26.4	27.7	23.7	24.1	25.0	26.3
	S/T	0.94	0.86	0.72	0.57	1.00	0.87	0.72	0.57	1.00	0.89	0.75	0.60	1.00	0.91	0.77	0.62	1.00	1.00	0.79	0.64	1.00	1.00	0.85	0.70
	ΔT	24	23	20	17	24	23	20	17	25	23	20	17	24	23	20	16	24	22	19	16	25	24	20	17
1070	kW	1.71	1.71	1.71	1.72	1.91	1.90	1.90	1.92	2.13	2.13	2.12	2.14	2.37	2.37	2.36	2.38	2.64	2.63	2.63	2.65	2.95	2.95	2.95	2.96
	Amps	6.3	6.3	6.3	6.4	7.2	7.2	7.2	7.3	8.3	8.2	8.2	8.3	9.4	9.3	9.3	9.4	10.6	10.6	10.6	10.6	12.0	12.0	12.0	12.1
	Hi PR	249	250	252	257	289	290	291	296	329	331	332	337	374	375	376	381	421	422	424	428	472	473	475	479
	Lo PR	122	123	126	131	129	130	134	139	135	137	140	145	141	142	145	150	146	148	151	156	153	154	157	162
	MBh	29.2	29.6	30.5	31.8	29.0	29.4	30.2	31.5	28.2	28.6	29.5	30.8	26.9	27.3	28.2	29.5	25.4	25.8	26.6	27.9	23.9	24.3	25.2	26.5

875	MBh	29.2	29.6	30.4	31.8	28.9	29.3	30.2	31.5	28.2	28.6	29.4	30.8	26.9	27.3	28.2	29.5	25.3	25.7	26.6	27.9	23.9	24.3	25.1	26.5
	S/T	1.00	0.89	0.75	0.6	1.00	0.90	0.76	0.6	1.00	1.00	0.78	0.6	1.00	1.00	0.80	0.7	1.00	1.00	0.83	0.7	1.00	1.00	0.88	0.7
	ΔT	29	27	24	21	29	27	24	21	29	27	24	21	29	27	24	21	28	27	24	21	29	28	25	22
	kW	1.70	1.70	1.70	1.71	1.90	1.90	1.89	1.9	2.12	2.12	2.12	2.1	2.36	2.36	2.36	2.4	2.63	2.63	2.62	2.6	2.94	2.94	2.94	3.0
	Amps	6.3	6.3	6.3	6.3	7.2	7.2	7.2	7.3	8.2	8.2	8.2	8.3	9.3	9.3	9.3	9.4	10.5	10.5	10.5	10.6	12.0	12.0	12.0	12.0
1000	Hi PR	249	250	251	256	288	289	290	295	329	330	331	336	373	374	375	380	420	421	423	427	471	472	474	478
	Lo PR	122	123	126	132	129	131	134	139	136	137	140	145	141	142	146	151	146	148	151	156	153	154	158	163
	MBh	29.5	29.9	30.8	32.1	29.3	29.7	30.5	31.8	28.5	28.9	29.8	31.1	27.2	27.6	28.5	29.8	25.6	26.0	26.9	28.2	24.2	24.6	25.5	26.8
	S/T	1.00	0.97	0.82	0.7	1.00	0.97	0.83	0.7	1.00	1.00	0.86	0.7	1.00	1.00	0.88	0.7	1.00	1.00	0.90	0.8	1.00	1.00	1.00	0.8
	ΔT	28	26	23	20	28	26	23	20	28	26	23	20	28	26	23	20	27	26	23	19	28	27	24	21
1070	kW	1.71	1.71	1.71	1.7	1.91	1.91	1.91	1.9	2.13	2.13	2.13	2.1	2.37	2.37	2.37	2.4	2.64	2.64	2.63	2.6	2.95	2.95	2.95	3.0
	Amps	6.3	6.3	6.3	6.4	7.3	7.3	7.3	7.3	8.3	8.3	8.3	8.3	9.4	9.4	9.3	9.4	10.6	10.6	10.6	10.6	12.0	12.0	12.0	12.1
	Hi PR	251	252	253	258	290	291	292	297	331	332	333	338	375	376	378	382	422	423	425	429	473	474	476	480
	Lo PR	123	125	128	133	131	132	135	140	137	139	142	147	143	144	147	152	148	149	152	158	155	156	159	164
	MBh	29.7	30.1	31.0	32.3	29.5	29.9	30.7	32.0	28.7	29.1	30.0	31.3	27.4	27.8	28.7	30.0	25.8	26.3	27.1	28.4	24.4	24.8	25.7	27.0

IDB: Entering Indoor Dry Bulb Temperature
 High and low pressures are measured at the liquid and suction service valves.
 Shaded area reflects AHRI Rating Conditions.
 kW = Total system power
 Amps = Outdoor unit amps (compressor + fan)

COOLING DATA — ASZH403610A* + AMST36CU1400A* (CONT.)

IDB	Airflow	Outdoor Ambient Temperature																																																								
		65°F						75°F						85°F						95°F						105°F						115°F																										
		59	63	67	71	75	79	59	63	67	71	75	79	59	63	67	71	75	79	59	63	67	71	75	79	59	63	67	71	75	79	59	63	67	71	75	79																					
Entering Indoor Wet Bulb Temperature																																																										
80	1050	MBh	35.3	35.8	36.9	38.5	35.0	35.5	36.6	38.2	34.1	34.6	35.6	37.2	32.5	33.0	34.1	35.7	30.6	31.1	32.1	33.7	28.9	29.4	30.4	32.0	0.85	0.77	0.64	0.51	1.00	0.78	0.65	0.51	1.00	0.80	0.67	0.54	1.00	0.82	0.69	0.56	1.00	0.84	0.71	0.58	1.00	0.80	0.67	0.54	1.00	0.82	0.69	0.56	1.00	0.84	0.71	0.58
		S/T	2.07	2.07	2.06	2.08	2.32	2.31	2.31	2.33	2.59	2.59	2.58	2.60	2.89	2.88	2.88	2.90	3.22	3.22	3.22	3.21	3.23	3.61	3.61	3.60	3.62	7.7	7.7	7.7	7.8	8.9	8.9	8.8	8.9	10.1	10.1	10.1	10.2	11.5	11.5	11.5	11.5	13.0	13.0	13.0	13.1	14.8	14.8	14.8	14.8							
		Amps	248	249	250	255	286	287	289	293	327	328	330	334	371	372	374	378	418	418	419	421	425	469	470	471	476	119	121	124	129	127	128	131	136	133	134	137	142	138	140	143	148	143	145	148	153	150	151	154	160							
	1150	MBh	35.7	36.2	37.2	38.8	35.3	35.8	36.9	38.5	34.4	34.9	36.0	37.6	32.9	33.4	34.4	36.0	30.9	31.4	32.5	34.1	29.2	29.7	30.7	32.3	0.89	0.81	0.68	0.54	1.00	0.82	0.69	0.55	1.00	0.84	0.71	0.57	1.00	0.86	0.73	0.59	1.00	1.00	0.75	0.61	1.00	1.00	0.80	0.66								
		S/T	2.08	2.08	2.07	2.09	2.32	2.32	2.32	2.34	2.60	2.60	2.59	2.61	2.89	2.89	2.89	2.91	3.23	3.22	3.22	3.22	3.24	3.62	3.61	3.61	3.63	7.8	7.8	7.8	7.8	8.9	8.9	8.9	9.0	10.2	10.2	10.1	10.2	11.5	11.5	11.5	11.6	13.0	13.0	13.0	13.1	14.8	14.8	14.8	14.9							
		Amps	249	250	252	256	288	289	291	295	329	330	331	336	372	373	375	379	420	421	422	422	427	470	471	473	477	121	122	125	130	128	129	132	137	134	136	139	144	139	141	144	149	145	146	149	154	151	153	156	161							
	1350	MBh	36.5	37.0	38.0	39.6	36.1	36.6	37.7	39.3	35.2	35.7	36.8	38.4	33.7	34.2	35.2	36.8	31.7	32.2	33.3	34.9	30.0	30.5	31.5	33.1	1.00	0.85	0.72	0.58	1.00	0.86	0.73	0.59	1.00	0.88	0.75	0.61	1.00	0.90	0.77	0.63	1.00	1.00	0.79	0.65	1.00	1.00	0.84	0.70								
		S/T	2.09	2.09	2.09	2.11	2.34	2.34	2.33	2.35	2.61	2.61	2.61	2.63	2.91	2.91	2.91	2.92	3.24	3.24	3.24	3.24	3.25	3.63	3.63	3.62	3.64	7.9	7.8	7.8	7.9	9.0	9.0	9.0	9.0	10.2	10.2	10.2	10.3	11.6	11.6	11.6	11.7	13.1	13.1	13.1	13.2	14.9	14.9	14.9	15.0							
		Amps	252	253	255	259	291	292	293	298	331	332	334	338	375	376	378	382	422	422	423	425	430	473	474	476	480	123	125	128	133	131	132	135	140	137	138	141	146	142	144	147	152	147	149	152	157	154	155	158	164							

85	1050	MBh	35.9	36.4	37.5	39.1	35.6	36.1	37.1	38.7	34.7	35.2	36.2	37.8	33.1	33.6	34.7	36.3	31.2	31.7	32.7	34.3	29.4	29.9	31.0	32.6	1.00	0.87	0.74	0.6	1.00	0.88	0.75	0.6	1.00	1.00	0.77	0.6	1.00	1.00	0.79	0.7	1.00	1.00	0.81	0.7	1.00	1.00	0.86	0.7
		S/T	2.07	2.07	2.07	2.1	2.32	2.32	2.31	2.3	2.59	2.59	2.59	2.6	2.89	2.89	2.89	2.9	3.23	3.23	3.23	3.2	3.2	3.61	3.61	3.6	7.8	7.8	7.7	7.8	8.9	8.9	8.9	9.0	10.2	10.1	10.1	10.2	11.5	11.5	11.5	11.6	13.0	13.0	13.0	13.1	14.8	14.8	14.8	14.9
		Amps	249	250	251	256	288	289	290	295	328	329	331	335	372	373	375	379	419	420	422	426	426	470	471	473	477	121	123	126	131	128	130	133	138	135	136	139	144	140	141	144	150	145	147	150	155	152	153	156
	1150	MBh	36.2	36.7	37.8	39.4	35.9	36.4	37.5	39.1	35.0	35.5	36.6	38.2	33.4	33.9	35.0	36.6	31.5	32.0	33.1	34.7	29.8	30.3	31.3	32.9	1.00	0.91	0.78	0.6	1.00	0.92	0.78	0.6	1.00	1.00	0.81	0.7	1.00	1.00	0.83	0.7	1.00	1.00	0.85	0.7	1.00	1.00	0.90	0.8
		S/T	2.08	2.08	2.08	2.1	2.33	2.33	2.32	2.3	2.60	2.60	2.60	2.6	2.90	2.90	2.89	2.9	3.23	3.23	3.23	3.2	3.2	3.62	3.62	3.6	7.8	7.8	7.8	7.9	8.9	8.9	8.9	9.0	10.2	10.2	10.2	10.2	11.6	11.5	11.5	11.6	13.1	13.1	13.0	13.1	14.8	14.8	14.8	14.9
		Amps	250	251	253	257	289	290	292	296	330	331	332	337	373	375	376	381	421	421	422	424	428	471	472	474	478	122	124	127	132	130	131	134	139	136	137	140	145	141	143	146	151	146	148	151	156	153	154	157
	1350	MBh	37.0	37.5	38.6	40.2	36.7	37.2	38.3	39.9	35.8	36.3	37.4	39.0	34.2	34.7	35.8	37.4	32.3	32.8	33.9	35.5	30.6	31.1	32.1	33.7	1.00	0.95	0.82	0.7	1.00	0.95	0.82	0.7	1.00	1.00	0.85	0.7	1.00	1.00	0.87	0.7	1.00	1.00	0.89	0.8	1.00	1.00	0.90	0.8
		S/T	2.10	2.10	2.09	2.1	2.34	2.34	2.34	2.4	2.62	2.62	2.61	2.6	2.91	2.91	2.91	2.9	3.25	3.24	3.24	3.24	3.3	3.64	3.63	3.6	7.9	7.9	7.9	7.9	9.0	9.0	9.0	9.1	10.3	10.2	10.2	10.3	11.6	11.6	11.6	11.7	13.1	13.1	13.1	13.2	14.9	14.9	14.9	15.0
		Amps	253	254	256	260	292	293	295	299	333	334	335	340	376	377	379	383	424	424	425	426	431	474	475	477	481	125	127	130	135	132	134	137	142	139	140	143	148	144	145	148	154	149	151	154	159	156	157	160

IDB: Entering Indoor Dry Bulb Temperature
 High and low pressures are measured at the liquid and suction service valves.
 Shaded area reflects AHRI Rating Conditions.
 Amps = Outdoor unit amps (compressor + fan)
 kW = Total system power

COOLING DATA — ASZH406010A* + AMST60DU1400A*

IDB	AIRFLOW	OUTDOOR AMBIENT TEMPERATURE												ENTERING INDOOR WET BULB TEMPERATURE														
		65°F				75°F				85°F				95°F				105°F				115°F						
		59	63	67	71	59	63	67	71	59	63	67	71	59	63	67	71	59	63	67	71	59	63	67	71			
70	1750	MBh	56.4	57.2	58.8	-	55.9	56.7	58.3	-	54.4	55.2	56.9	-	51.9	52.7	54.4	-	48.8	49.6	51.3	-	46.0	46.8	48.5	-		
		S/T	0.65	0.57	0.43	-	0.65	0.58	0.44	-	0.68	0.60	0.47	-	0.70	0.62	0.49	-	0.72	0.64	0.51	-	1.00	0.69	0.56	-		
		ΔT	18	17	13	-	18	17	13	-	19	17	14	-	18	17	13	-	18	16	13	-	19	17	14	-		
	1840	kW	3.41	3.41	3.40	-	3.83	3.83	3.82	-	4.31	4.31	4.30	-	4.82	4.82	4.81	-	5.40	5.40	5.39	-	6.07	6.07	6.06	-		
		Amps	12.9	12.9	12.9	-	14.9	14.9	14.8	-	17.1	17.0	17.0	-	19.4	19.4	19.4	-	22.0	22.0	22.0	-	25.1	25.1	25.1	-		
		Hi PR	258	259	261	-	298	299	301	-	340	342	343	-	386	387	389	-	435	436	438	-	488	489	491	-		
	1920	Lo PR	116	117	120	-	123	124	127	-	129	130	133	-	134	135	138	-	139	141	143	-	145	147	150	-		
		MBh	56.7	57.5	59.2	-	56.2	57.0	58.7	-	54.7	55.5	57.2	-	52.2	53.0	54.7	-	49.1	49.9	51.6	-	46.3	47.1	48.8	-		
		S/T	0.67	0.59	0.45	-	0.67	0.60	0.46	-	0.70	0.62	0.49	-	0.72	0.64	0.51	-	0.74	0.66	0.53	-	1.00	0.71	0.58	-		
	75	1750	ΔT	18	16	13	-	18	16	13	-	18	16	13	-	18	16	13	-	18	16	12	-	18	17	13	-	
			kW	3.42	3.42	3.41	-	3.85	3.85	3.84	-	4.32	4.32	4.31	-	4.84	4.84	4.83	-	5.41	5.41	5.40	-	6.09	6.08	6.08	-	
			Amps	13.0	13.0	12.9	-	14.9	14.9	14.9	-	17.1	17.1	17.1	-	19.5	19.5	19.4	-	22.1	22.1	22.1	-	25.2	25.2	25.1	-	
1840		Hi PR	259	260	262	-	300	301	303	-	342	343	345	-	388	389	391	-	437	438	440	-	489	490	492	-		
		Lo PR	116	117	120	125	128	-	130	132	134	-	135	137	140	-	140	141	144	-	140	142	145	-	147	148	151	-
		MBh	57.0	57.8	59.4	-	56.5	57.3	58.9	-	55.0	55.8	57.5	-	52.5	53.3	55.0	-	49.4	50.2	51.9	-	46.6	47.4	49.1	-		
1920		S/T	0.68	0.60	0.47	-	0.69	0.61	0.48	-	0.71	0.64	0.50	-	0.73	0.66	0.52	-	0.75	0.68	0.54	-	1.00	0.73	0.59	-		
		ΔT	18	16	13	-	18	16	13	-	18	16	13	-	18	16	13	-	17	16	12	-	18	17	13	-		
		kW	3.42	3.42	3.41	-	3.85	3.85	3.84	-	4.32	4.32	4.31	-	4.84	4.84	4.83	-	5.41	5.41	5.40	-	6.09	6.08	6.08	-		
75		1750	Amps	13.0	12.9	12.9	-	14.9	14.9	14.9	-	17.1	17.1	17.1	-	19.5	19.5	19.4	-	22.1	22.1	22.1	-	25.2	25.2	25.1	-	
			Hi PR	258	259	261	265	298	299	301	306	341	342	344	348	386	387	389	394	436	437	438	443	488	489	491	495	
			Lo PR	116	117	120	125	123	124	127	132	129	130	133	138	134	135	138	143	139	141	143	148	145	147	150	155	
	1840	MBh	56.7	57.5	59.2	61.7	56.2	57.0	58.7	61.2	54.8	55.6	57.2	59.8	52.2	53.0	54.7	57.3	49.2	50.0	51.6	54.2	46.4	47.2	48.8	51.4		
		S/T	0.80	0.72	0.58	0.44	0.80	0.73	0.59	0.45	0.83	0.75	0.62	0.47	1.00	0.77	0.63	0.49	1.00	0.79	0.66	0.51	1.00	0.84	0.71	0.57		
		ΔT	22	20	17	13	22	20	17	13	22	20	17	14	22	20	17	13	22	20	17	13	23	21	18	14		
	1920	kW	3.41	3.41	3.40	3.44	3.84	3.84	3.83	3.86	4.31	4.31	4.30	4.34	4.83	4.83	4.82	4.85	5.40	5.40	5.39	5.43	6.08	6.08	6.07	6.10		
		Amps	13.0	12.9	12.9	13.1	14.9	14.9	14.9	15.0	17.1	17.1	17.0	17.2	19.4	19.4	19.4	19.5	22.1	22.0	22.0	22.2	25.1	25.1	25.1	25.2		
		Hi PR	259	260	262	266	299	300	302	307	342	343	344	349	387	388	390	395	436	437	439	444	489	490	492	496		
	1920	Lo PR	116	118	121	126	123	125	128	133	130	131	134	139	135	136	139	144	140	141	144	149	146	148	150	155		
		MBh	57.0	57.8	59.5	62.0	56.5	57.3	59.0	61.5	55.1	55.8	57.5	60.1	52.5	53.3	55.0	57.6	49.5	50.3	51.9	54.5	46.7	47.4	49.1	51.7		
		S/T	0.81	0.73	0.60	0.46	0.82	0.74	0.60	0.46	0.84	0.77	0.63	0.49	1.00	0.78	0.65	0.51	1.00	0.81	0.67	0.53	1.00	0.86	0.72	0.58		
1920	ΔT	22	20	16	13	22	20	16	13	22	20	17	13	21	20	16	13	21	19	16	13	22	21	17	14			
	kW	3.42	3.42	3.41	3.44	3.85	3.84	3.84	3.87	4.32	4.32	4.31	4.34	4.84	4.83	4.83	4.86	5.41	5.41	5.40	5.43	6.09	6.08	6.07	6.11			
	Amps	13.0	13.0	12.9	13.1	14.9	14.9	14.9	15.0	17.1	17.1	17.1	17.2	19.5	19.4	19.4	19.6	22.1	22.1	22.0	22.2	25.2	25.2	25.1	25.3			
1920	Hi PR	259	261	262	267	300	301	303	307	342	343	345	350	388	389	391	395	437	438	440	444	490	491	492	497			
	Lo PR	117	119	121	126	124	125	128	133	130	132	135	139	135	137	140	145	140	142	145	150	147	148	151	156			

IDB: Entering Indoor Dry Bulb Temperature
 High and low pressures are measured at the liquid and suction service valves.
 Shaded area reflects ACCA (TVA) Rating Conditions.
 kW = Total system power
 Amps = Outdoor unit amps (compressor + fan)

HEATING DATA

ASZH401810A*+AMST24BU1400A*

	OUTDOOR AMBIENT TEMPERATURE																
	65	60	55	50	47	45	40	35	30	25	20	17	15	10	5	0	-5
MBh	22.0	20.6	19.2	17.9	17.0	16.4	14.7	13.2	12.0	11.0	10.4	10.0	9.5	8.4	7.2	6.0	4.9
T/R	31.0	29.3	27.6	25.9	24.8	23.9	21.5	19.3	17.5	16.1	15.1	14.6	13.9	12.2	10.5	8.8	7.1
KW	1.5	1.5	1.4	1.4	1.4	1.4	1.3	1.3	1.3	1.3	1.2	1.2	1.2	1.2	1.2	1.1	1.1
AMPS	5.4	5.3	5.2	5.1	5.0	5.0	4.8	4.7	4.6	4.5	4.4	4.3	4.3	4.1	4.0	3.9	3.8
COP	4.36	4.16	3.95	3.74	3.60	3.49	3.20	2.93	2.71	2.56	2.45	2.40	2.31	2.07	1.83	1.57	1.29
Hi PR	384	372	359	347	339	334	322	309	297	284	272	264	259	247	234	222	209
LO PR	147	138	129	119	114	110	101	92	83	74	65	59	56	46	37	28	19

ASZH402410A*+AMST24BU1400A*

	OUTDOOR AMBIENT TEMPERATURE																
	65	60	55	50	47	45	40	35	30	25	20	17	15	10	5	0	-5
MBh	28.5	26.7	24.9	23.1	22.0	21.2	19.1	17.1	15.5	14.3	13.5	13.0	12.4	10.9	9.4	7.9	6.4
T/R	33.7	31.8	30.0	28.1	27.0	26.0	23.4	21.0	19.1	17.6	16.5	16.0	15.2	13.4	11.5	9.7	7.9
KW	2.0	1.9	1.9	1.8	1.8	1.8	1.7	1.7	1.6	1.6	1.6	1.5	1.5	1.5	1.4	1.4	1.3
AMPS	7.3	7.1	6.9	6.7	6.6	6.5	6.3	6.1	5.9	5.7	5.5	5.4	5.4	5.2	5.0	4.8	4.6
COP	4.28	4.10	3.92	3.73	3.60	3.50	3.23	2.98	2.77	2.63	2.55	2.50	2.41	2.19	1.94	1.69	1.41
Hi PR	382	369	357	344	337	332	320	307	295	282	270	263	258	245	233	220	208
LO PR	140	132	123	114	109	106	97	88	79	71	62	57	53	44	36	27	18

ASZH403010A*+AMST30BU1400A*

	OUTDOOR AMBIENT TEMPERATURE																
	65	60	55	50	47	45	40	35	30	25	20	17	15	10	5	0	-5
MBh	34.9	32.9	30.9	28.9	27.6	26.7	24.4	22.2	20.4	19.1	18.1	17.6	16.9	15.3	13.6	11.9	10.3
T/R	29.1	27.6	26.2	24.8	23.9	23.1	21.1	19.2	17.6	16.5	15.7	15.2	14.7	13.2	11.8	10.3	8.9
KW	2.2	2.1	2.1	2.1	2.1	2.1	2.0	2.0	2.0	2.0	1.9	1.9	1.9	1.9	1.8	1.8	1.8
AMPS	7.7	7.6	7.5	7.4	7.3	7.3	7.2	7.0	6.9	6.8	6.7	6.6	6.6	6.4	6.3	6.2	6.1
COP	4.71	4.49	4.27	4.05	3.90	3.79	3.51	3.24	3.01	2.86	2.75	2.70	2.61	2.39	2.16	1.92	1.68
Hi PR	351	340	328	317	310	305	294	283	271	260	248	241	237	225	214	203	191
LO PR	135	127	118	110	105	102	93	85	76	68	60	54	51	43	34	26	17

ASZH403610A*+AMST36CU1400A*

	OUTDOOR AMBIENT TEMPERATURE																
	65	60	55	50	47	45	40	35	30	25	20	17	15	10	5	0	-5
MBh	43.8	41.1	38.6	36.0	34.4	33.2	30.3	27.5	25.2	23.5	22.3	21.6	20.7	18.6	16.5	14.3	12.2
T/R	33.9	32.2	30.4	28.7	27.7	26.8	24.4	22.1	20.3	18.9	17.9	17.4	16.7	15.0	13.3	11.6	9.8
KW	3.1	3.1	3.0	2.9	2.9	2.9	2.8	2.7	2.6	2.6	2.5	2.4	2.4	2.3	2.3	2.2	2.1
AMPS	11.9	11.5	11.2	10.9	10.7	10.6	10.2	9.9	9.6	9.3	9.0	8.8	8.6	8.3	8.0	7.7	7.3
COP	4.07	3.92	3.77	3.61	3.50	3.41	3.20	2.98	2.81	2.69	2.63	2.60	2.53	2.34	2.14	1.93	1.70
Hi PR	434	420	406	391	383	377	363	349	335	321	307	298	293	279	264	250	236
LO PR	133	124	116	108	103	100	91	83	75	67	58	53	50	42	34	25	17

Above information is for nominal CFM and 70 degree indoor dry bulb. Instantaneous capacity listed.

Amps = Outdoor unit amps (comp.+fan)

KW = Total system power

Daikin Manufacturing Company, L.P. reserves the right to discontinue, or change at any time, specifications or designs without notice or without incurring obligations.

ASZH404210A*+AMST42CU1400A*

	OUTDOOR AMBIENT TEMPERATURE																
	65	60	55	50	47	45	40	35	30	25	20	17	15	10	5	0	-5
MBh	51.6	48.3	45.2	42.0	40.0	38.5	34.8	31.3	28.5	26.4	24.8	24.0	22.9	20.3	17.6	14.9	12.3
T/R	34.3	32.4	30.6	28.7	27.6	26.6	24.0	21.6	19.7	18.2	17.2	16.6	15.8	14.0	12.2	10.3	8.5
KW	3.5	3.4	3.3	3.3	3.3	3.2	3.2	3.1	3.1	3.0	3.0	2.9	2.9	2.9	2.8	2.7	2.7
AMPS	12.9	12.6	12.4	12.2	12.0	11.9	11.7	11.5	11.2	11.0	10.8	10.6	10.5	10.3	10.0	9.8	9.6
COP	4.38	4.17	3.96	3.74	3.60	3.49	3.21	2.94	2.72	2.56	2.46	2.40	2.31	2.08	1.84	1.59	1.34
Hi PR	394	381	369	356	348	343	330	317	304	292	279	271	266	253	240	227	215
LO PR	131	123	115	107	102	99	91	82	74	66	58	53	50	41	33	25	17

ASZH404810A*+AMST48CU1400A*

	OUTDOOR AMBIENT TEMPERATURE																
	65	60	55	50	47	45	40	35	30	25	20	17	15	10	5	0	-5
MBh	59.1	55.4	51.8	48.3	46.0	44.4	40.2	36.2	33.0	30.7	28.9	28.0	26.8	23.8	20.8	17.8	14.8
T/R	36.0	34.1	32.2	30.3	29.2	28.1	25.5	23.0	20.9	19.4	18.3	17.8	17.0	15.1	13.2	11.3	9.4
KW	3.9	3.8	3.7	3.7	3.6	3.6	3.6	3.5	3.4	3.4	3.3	3.3	3.3	3.2	3.1	3.1	3.0
AMPS	14.5	14.2	13.9	13.7	13.5	13.4	13.2	12.9	12.6	12.4	12.1	12.0	11.9	11.6	11.3	11.1	10.8
COP	4.48	4.27	4.06	3.85	3.70	3.59	3.31	3.03	2.81	2.66	2.55	2.50	2.41	2.18	1.94	1.69	1.44
Hi PR	433	419	405	390	382	376	362	348	334	320	306	298	292	278	264	250	236
LO PR	137	128	120	111	106	103	94	86	77	69	60	55	52	43	35	26	18

ASZH406010A*+AMST60DU1400A*

	OUTDOOR AMBIENT TEMPERATURE																
	65	60	55	50	47	45	40	35	30	25	20	17	15	10	5	0	-5
MBh	72.4	68.1	63.9	59.7	57.0	55.0	50.2	45.6	41.8	39.1	37.1	36.0	34.6	31.1	27.6	24.1	20.6
T/R	44.1	41.9	39.7	37.5	36.2	35.0	31.9	28.9	26.5	24.8	23.5	22.8	21.9	19.7	17.5	15.3	13.1
KW	4.7	4.6	4.6	4.5	4.5	4.5	4.4	4.4	4.3	4.3	4.2	4.2	4.2	4.2	4.1	4.1	4.0
AMPS	18.1	17.9	17.7	17.4	17.3	17.2	17.0	16.8	16.6	16.4	16.2	16.0	15.9	15.7	15.5	15.3	15.1
COP	4.52	4.30	4.07	3.85	3.70	3.59	3.31	3.04	2.82	2.66	2.56	2.50	2.41	2.20	1.97	1.74	1.51
Hi PR	412	399	385	372	364	359	345	332	318	305	292	284	278	265	251	238	225
LO PR	128	120	112	104	99	96	88	80	72	64	56	51	48	40	32	24	16

Above information is for nominal CFM and 70 degree indoor dry bulb. Instantaneous capacity listed.

Amps = Outdoor unit amps (comp.+fan)
kW = Total system power

Daikin Manufacturing Company, L.P. reserves the right to discontinue, or change at any time, specifications or designs without notice or without incurring obligations.

PERFORMANCE DATA

ASZH401810A* + AMST24BU1400A*				
CONDITIONS: 80 °F IBD, 67 °F IWB @ 630 CFM				
OUTDOOR TEM. ° F.	TOTAL BTU/H	SENSIBLE BTU/H	LATENT BTU/H	TOTAL WATTS
75	18,450	13,650	4,800	1,170
80	18,250	13,500	4,750	1,240
85	18,000	13,300	4,700	1,300
90	17,600	13,050	4,550	1,370
95	17,200	12,750	4,450	1,440
100	16,750	12,400	4,350	1,520
105	16,250	12,050	4,200	1,600
110	15,800	11,750	4,050	1,700
115	15,350	11,400	3,950	1,790
TVA CONDITIONS @ 95° OD DB, 75° ID DB 63° ID WB				
95°	16,600	12,800	3,800	1,450

ASZH402410A* + AMST24BU1400A*				
CONDITIONS: 80 °F IBD, 67 °F IWB @ 750 CFM				
OUTDOOR TEM. ° F.	TOTAL BTU/H	SENSIBLE BTU/H	LATENT BTU/H	TOTAL WATTS
75	24,250	17,250	7,000	1,520
80	23,950	17,050	6,900	1,610
85	23,650	16,800	6,850	1,700
90	23,150	16,450	6,700	1,800
95	22,600	16,100	6,500	1,900
100	22,000	15,650	6,350	2,010
105	21,350	15,200	6,150	2,120
110	20,800	14,800	6,000	2,250
115	20,200	14,350	5,850	2,370
TVA CONDITIONS @ 95° OD DB, 75° ID DB 63° ID WB				
95°	21,800	16,150	5,650	1,900

ASZH403010A* + AMST30BU1400A*				
CONDITIONS: 80 °F IBD, 67 °F IWB @ 1070 CFM				
OUTDOOR TEM. ° F.	TOTAL BTU/H	SENSIBLE BTU/H	LATENT BTU/H	TOTAL WATTS
75	30,250	22,700	7,550	1,910
80	29,900	22,450	7,450	2,020
85	29,500	22,150	7,350	2,130
90	28,850	21,650	7,200	2,250
95	28,200	21,150	7,050	2,370
100	27,400	20,600	6,800	2,510
105	26,600	20,000	6,600	2,640
110	25,900	19,450	6,450	2,800
115	25,200	18,900	6,300	2,950
TVA CONDITIONS @ 95° OD DB, 75° ID DB 63° ID WB				
95°	27,200	22,050	5,150	2,370

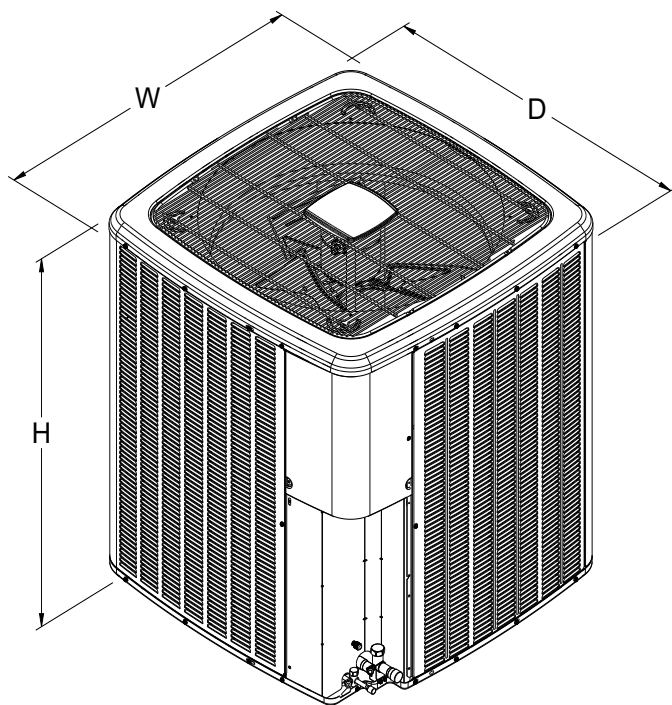
ASZH403610A* + AMST36CU1400A*				
CONDITIONS: 80 °F IBD, 67 °F IWB @ 1150 CFM				
OUTDOOR TEM. ° F.	TOTAL BTU/H	SENSIBLE BTU/H	LATENT BTU/H	TOTAL WATTS
75	36,900	26,250	10,650	2,320
80	36,450	25,950	10,500	2,460
85	35,950	25,600	10,350	2,590
90	35,200	25,050	10,150	2,740
95	34,400	24,500	9,900	2,890
100	33,450	23,800	9,650	3,060
105	32,500	23,100	9,400	3,220
110	31,600	22,500	9,100	3,420
115	30,700	21,850	8,850	3,610
TVA CONDITIONS @ 95° OD DB, 75° ID DB 63° ID WB				
95°	33,150	24,550	8,600	2,890

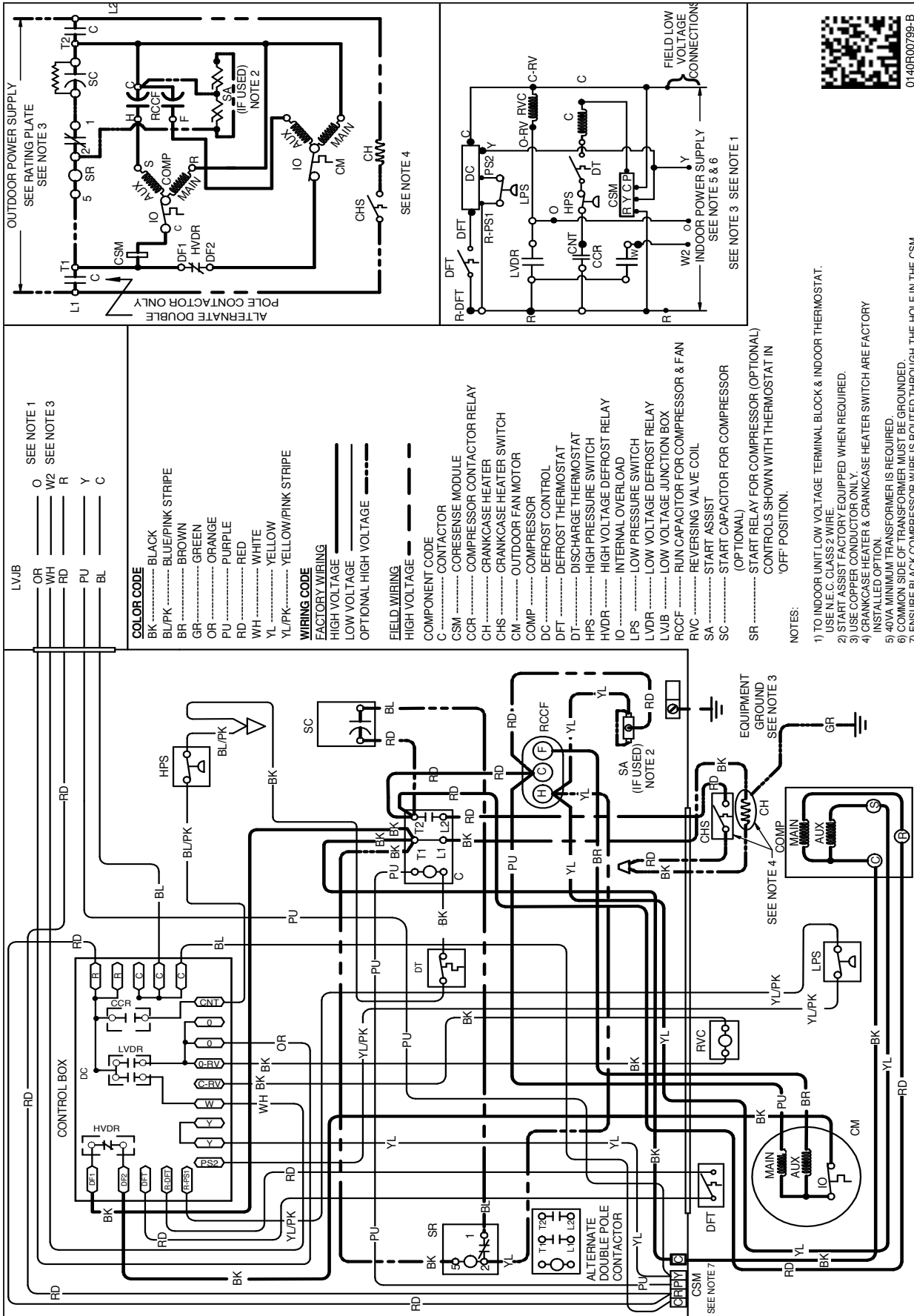
ASZH404210A* + AMST42CU1400A*				
CONDITIONS: 80 °F IBD, 67 °F IWB @ 1340 CFM				
OUTDOOR TEM. ° F.	TOTAL BTU/H	SENSIBLE BTU/H	LATENT BTU/H	TOTAL WATTS
75	42,900	31,750	11,150	2,700
80	42,400	31,400	11,000	2,860
85	41,850	31,000	10,850	3,020
90	40,950	30,350	10,600	3,190
95	40,000	29,650	10,350	3,360
100	38,900	28,850	10,050	3,550
105	37,750	28,000	9,750	3,740
110	36,750	27,250	9,500	3,960
115	35,750	26,450	9,300	4,180
TVA CONDITIONS @ 95° OD DB, 75° ID DB 63° ID WB				
95°	38,550	29,700	8,850	3,360

ASZH404810A* + AMST48CU1400A*				
CONDITIONS: 80 °F IBD, 67 °F IWB @ 1460 CFM				
OUTDOOR TEM. ° F.	TOTAL BTU/H	SENSIBLE BTU/H	LATENT BTU/H	TOTAL WATTS
75	48,800	35,200	13,600	3,060
80	48,200	34,750	13,450	3,240
85	47,600	34,300	13,300	3,420
90	46,550	33,550	13,000	3,620
95	45,500	32,800	12,700	3,820
100	44,250	31,900	12,350	4,040
105	42,950	31,000	11,950	4,260
110	41,800	30,150	11,650	4,520
115	40,650	29,300	11,350	4,780
TVA CONDITIONS @ 95° OD DB, 75° ID DB 63° ID WB				
95°	43,900	32,900	11,000	3,830

ASZH406010A* + AMST60DU1400A*				
CONDITIONS: 80 °F IBD, 67 °F IWB @ 1840 CFM				
OUTDOOR TEM. ° F.	TOTAL BTU/H	SENSIBLE BTU/H	LATENT BTU/H	TOTAL WATTS
75	58,950	43,700	15,250	3,830
80	58,250	43,150	15,100	4,070
85	57,500	42,600	14,900	4,310
90	56,250	41,700	14,550	4,570
95	55,000	40,750	14,250	4,820
100	53,500	39,600	13,900	5,110
105	51,950	38,450	13,500	5,400
110	50,550	37,450	13,100	5,740
115	49,100	36,400	12,700	6,070
TVA Conditions @ 95° OD DB, 75° ID DB 63° ID WB				
95°	53,050	40,850	12,200	4,830

MODEL	DIMENSIONS		
	W"	D"	H"
ASZH401810A*	29	29	35 ¹¹ / ₁₆
ASZH402410A*	29	29	35 ¹¹ / ₁₆
ASZH403010A*	29	29	39 ⁹ / ₁₆
ASZH403610A*	35 ¹ / ₂	35 ¹ / ₂	39 ¹⁰ / ₁₆
ASZH404210A*	35 ¹ / ₂	35 ¹ / ₂	35 ¹³ / ₁₆
ASZH404810A*	35 ¹ / ₂	35 ¹ / ₂	36 ⁷ / ₁₆
ASZH406010A*	35 ¹ / ₂	35 ¹ / ₂	41 ¹⁰ / ₁₆





0140R00798-B



High Voltage: Disconnect all power before servicing or installing this unit. Multiple power sources may be present. Failure to do so may cause property damage, personal injury, or death.



Wiring is subject to change. Always refer to the wiring diagram or the unit for the most up-to-date wiring.

MODEL	DESCRIPTION	ASZH4 01810A*	ASZH4 02410A*	ASZH4 03010A*	ASZH4 03610A*	ASZH4 04210A*	ASZH4 04810A*	ASZH4 06010A*
ABK-20	Anchor Bracket Kit [◊]	X	X	X	X	X	X	X
CSR-U-1	Hard-start Kit	X	X	X	X			
CSR-U-2	Hard-start Kit					X	X	X
CSR-U-3	Hard-start Kit						X	X
FSK01A ¹	Freeze Protection Kit	X	X	X	X	X	X	X
LAKT01A	Low-Ambient Kit	X	X	X	X	X	X	X
OT18-60A ²	Outdoor Thermostat w/ Lockout Stat	X	X	X	X	X	X	X
TXV-FX-KX-2T ³	TXV Kit	X	X					
TXV-FX-KX-3T ³	TXV Kit			X	X			
TXV-FX-KX-5T ³	TXV Kit					X	X	X

[◊] Contains 20 brackets; four brackets needed to anchor unit to pad

¹ Installed on indoor coil

² Required for heat pump applications where ambient temperatures fall below 0°F with 50% or higher relative humidity.

³ Condensing units and heat pumps with reciprocating or rotary compressors require the use of start-assist components when used in conjunction with an indoor coil using a non-bleed thermal expansion valve refrigerant metering device or liquid line solenoid kit. The TXV should always be sized based on the tonnage of the outdoor unit.

All AHRI system ratings are accessible in the System Configurator tool via PartnerLink.

